

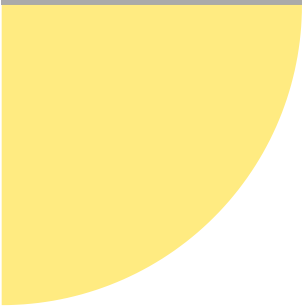
Name: _____

TANGY TUESDAY™

PACK	LEVEL	WEEK
------	-------	------

1	C	11
---	---	----

Step-by-step examples at tangmath.com/puzzles



TANGY TUESDAY

Pack 1

DigiCross · Snake · NumTanga · Kakooma · Equato

Name: _____

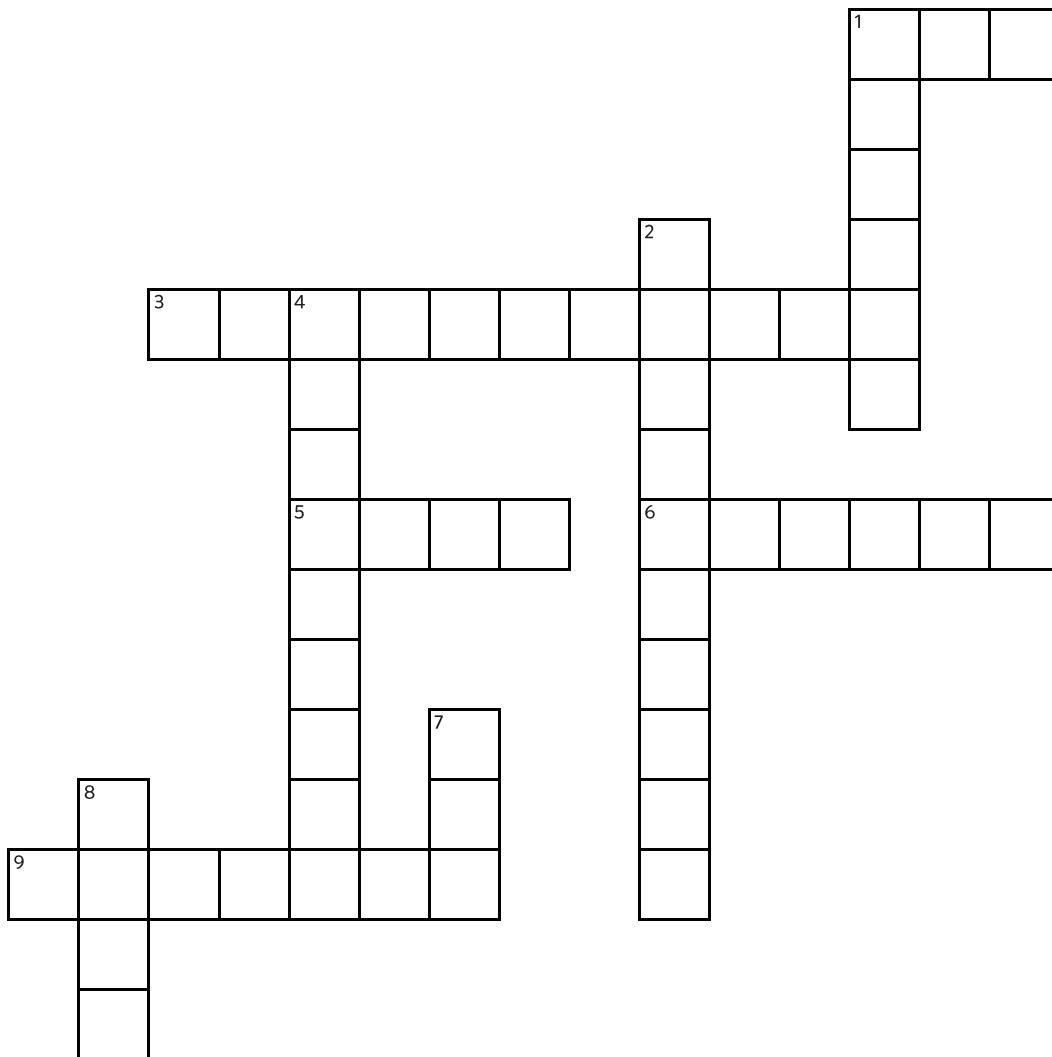
DIGICROSS

Step-by-step examples at tangmath.com/puzzles

TANGY TUESDAY™

PACK	LEVEL	WEEK
1	C	11

Complete the crossword by filling in a word that fits each clue.



ACROSS

- 247 is closest to ___ hundreds
- $4 \times 6 = 24$ so $8 \times 6 =$ ___
- $90 \div 3 = 9$ ___ $\div 3$
- $2 \times 6 \times 8 =$ ___ groups of 8
- $2 =$ ___ eighths

DOWN

- $6:50 + 2:40 = 9:$ ___
- $610 + 372 = 900 +$ ___
- a square is also a ___
- $735 - 516 = 200 +$ ___ $+ 9$
- $81 \div$ ___ $= 9$

Name: _____

SNAKE

Step-by-step examples at tangmath.com/puzzles

TANGY TUESDAY™		
PACK	LEVEL	WEEK
1	C	11

Fill each empty box, in order, combining the numbers from the previous 2 boxes.

13	+5				-14		+17	
		+31			-18			-7
	+7						+5	
-46				+12			-4	
	-6		+20				-10	5

7		+10			-47	
+27	-46		+37		+35	+34
-30	+20		+1		-33	-7
	+31			-6		33

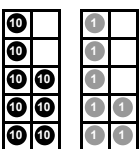
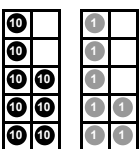
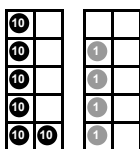
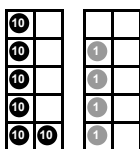
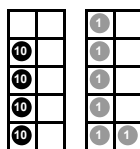
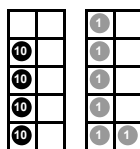
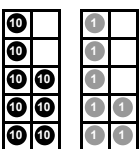
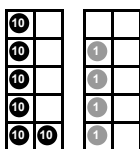
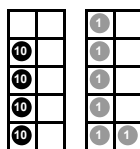
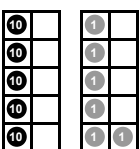
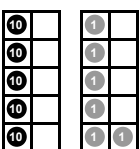
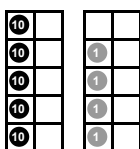
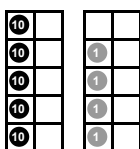
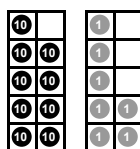
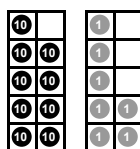
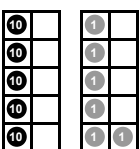
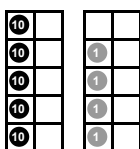
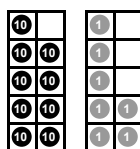
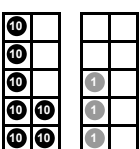
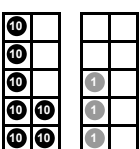
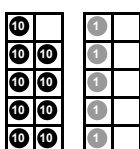
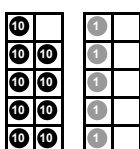
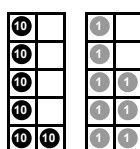
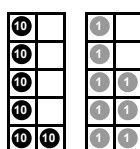
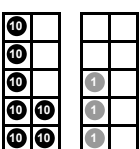
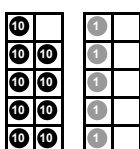
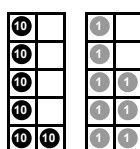
Name: _____

NUMTANGA

Step-by-step examples at tangmath.com/puzzles

PACK	LEVEL	WEEK
1	C	11

In each empty box, write the matching value between adjacent cards.

<table border="1" style="width: 100%; border-collapse: collapse;"> <tr> <td style="text-align: center; font-size: 2em;">56</td> <td style="text-align: center;">$70+3$</td> </tr> <tr> <td style="text-align: center;">  </td> <td style="text-align: center;">forty six</td> </tr> </table>	56	$70+3$		forty six	<input style="width: 50px; height: 50px;" type="text"/>	<table border="1" style="width: 100%; border-collapse: collapse;"> <tr> <td style="text-align: center; font-size: 2em;">73</td> <td style="text-align: center;">$90+7$</td> </tr> <tr> <td style="text-align: center;">  </td> <td style="text-align: center;">thirty nine</td> </tr> </table>	73	$90+7$		thirty nine	<input style="width: 50px; height: 50px;" type="text"/>	<table border="1" style="width: 100%; border-collapse: collapse;"> <tr> <td style="text-align: center; font-size: 2em;">64</td> <td style="text-align: center;">$60+8$</td> </tr> <tr> <td style="text-align: center;">  </td> <td style="text-align: center;">ninety five</td> </tr> </table>	64	$60+8$		ninety five
56	$70+3$															
	forty six															
73	$90+7$															
	thirty nine															
64	$60+8$															
	ninety five															
<input style="width: 50px; height: 50px;" type="text"/>		<input style="width: 50px; height: 50px;" type="text"/>		<input style="width: 50px; height: 50px;" type="text"/>												
<table border="1" style="width: 100%; border-collapse: collapse;"> <tr> <td style="text-align: center; font-size: 2em;">97</td> <td style="text-align: center;">$40+9$</td> </tr> <tr> <td style="text-align: center;">  </td> <td style="text-align: center;">sixty eight</td> </tr> </table>	97	$40+9$		sixty eight	<input style="width: 50px; height: 50px;" type="text"/>	<table border="1" style="width: 100%; border-collapse: collapse;"> <tr> <td style="text-align: center; font-size: 2em;">68</td> <td style="text-align: center;">$30+9$</td> </tr> <tr> <td style="text-align: center;">  </td> <td style="text-align: center;">eighty seven</td> </tr> </table>	68	$30+9$		eighty seven	<input style="width: 50px; height: 50px;" type="text"/>	<table border="1" style="width: 100%; border-collapse: collapse;"> <tr> <td style="text-align: center; font-size: 2em;">46</td> <td style="text-align: center;">$50+4$</td> </tr> <tr> <td style="text-align: center;">  </td> <td style="text-align: center;">seventy eight</td> </tr> </table>	46	$50+4$		seventy eight
97	$40+9$															
	sixty eight															
68	$30+9$															
	eighty seven															
46	$50+4$															
	seventy eight															
<input style="width: 50px; height: 50px;" type="text"/>		<input style="width: 50px; height: 50px;" type="text"/>		<input style="width: 50px; height: 50px;" type="text"/>												
<table border="1" style="width: 100%; border-collapse: collapse;"> <tr> <td style="text-align: center; font-size: 2em;">49</td> <td style="text-align: center;">$90+5$</td> </tr> <tr> <td style="text-align: center;">  </td> <td style="text-align: center;">fifty four</td> </tr> </table>	49	$90+5$		fifty four	<input style="width: 50px; height: 50px;" type="text"/>	<table border="1" style="width: 100%; border-collapse: collapse;"> <tr> <td style="text-align: center; font-size: 2em;">83</td> <td style="text-align: center;">$80+7$</td> </tr> <tr> <td style="text-align: center;">  </td> <td style="text-align: center;">ninety seven</td> </tr> </table>	83	$80+7$		ninety seven	<input style="width: 50px; height: 50px;" type="text"/>	<table border="1" style="width: 100%; border-collapse: collapse;"> <tr> <td style="text-align: center; font-size: 2em;">78</td> <td style="text-align: center;">$80+3$</td> </tr> <tr> <td style="text-align: center;">  </td> <td style="text-align: center;">seventy three</td> </tr> </table>	78	$80+3$		seventy three
49	$90+5$															
	fifty four															
83	$80+7$															
	ninety seven															
78	$80+3$															
	seventy three															
<input style="width: 50px; height: 50px;" type="text"/>		<input style="width: 50px; height: 50px;" type="text"/>		<input style="width: 50px; height: 50px;" type="text"/>												

Name: _____

TANGY TUESDAY™

KAKOOMA

PACK	LEVEL	WEEK
1	C	11

Step-by-step examples at tangmath.com/puzzles

In each group, circle the one number that is the sum or product of two other numbers.
Write the circled numbers in the final puzzle and solve.

40		21		14		3				
24	×	7	40	×	8					
3		15		24		21				
4		28		5		7				
24	×	32					28	×	45	
21		8						9		27
28		12		7		30				
15	×	4	35	×	18					
9		7		16		5				

Final Puzzle

	+		

Final Answer

Name: _____

TANGY TUESDAY™

EQUATO

Step-by-step examples at tangmath.com/puzzles

PACK	LEVEL	WEEK
1	C	11

Use each number once to complete the equations. Read equations left to right and top to bottom.

NUMBER BANK

1 2 3 4 5 6 7 8

2	=	9	-		-	
+		-		+		=
8	+	4	-	5	=	
-		-		=		-
	-	1	=		-	6
=		=		-		+
7	-		+		=	